

BREMERHAVEN T8

IP 68 1 m    

IK 04, 960 °C – glass

IK 09, 850 °C – PC

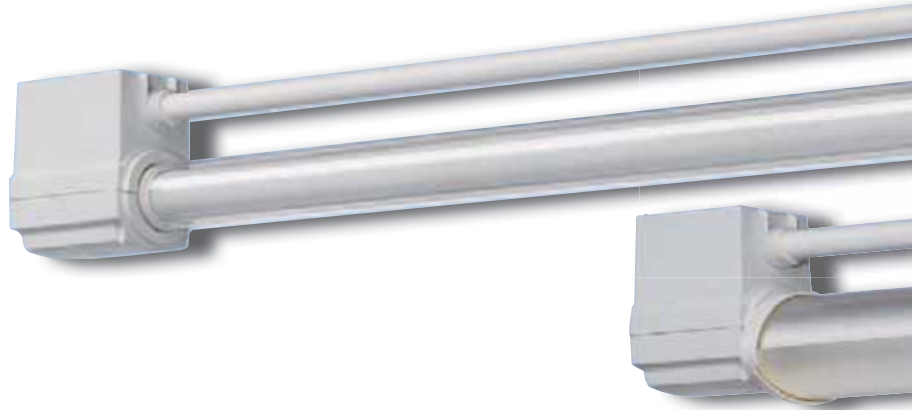
IK 04, 650 °C – PMMA

Single lamp polymer luminaire made of phenolic resin with protective tube in silicate glass, also available with PMMA reflector tube.

Clear, impact strengthened transopal, clear inside ribbed, clear PC or clear inside ribbed with internal mirror finish reflector, wide or concentrated beam.

Ready for connection through two M20 cable glands, through wiring 2 x 1.5 mm².

Two polymer mounting clamps, adjustable mounting distance.

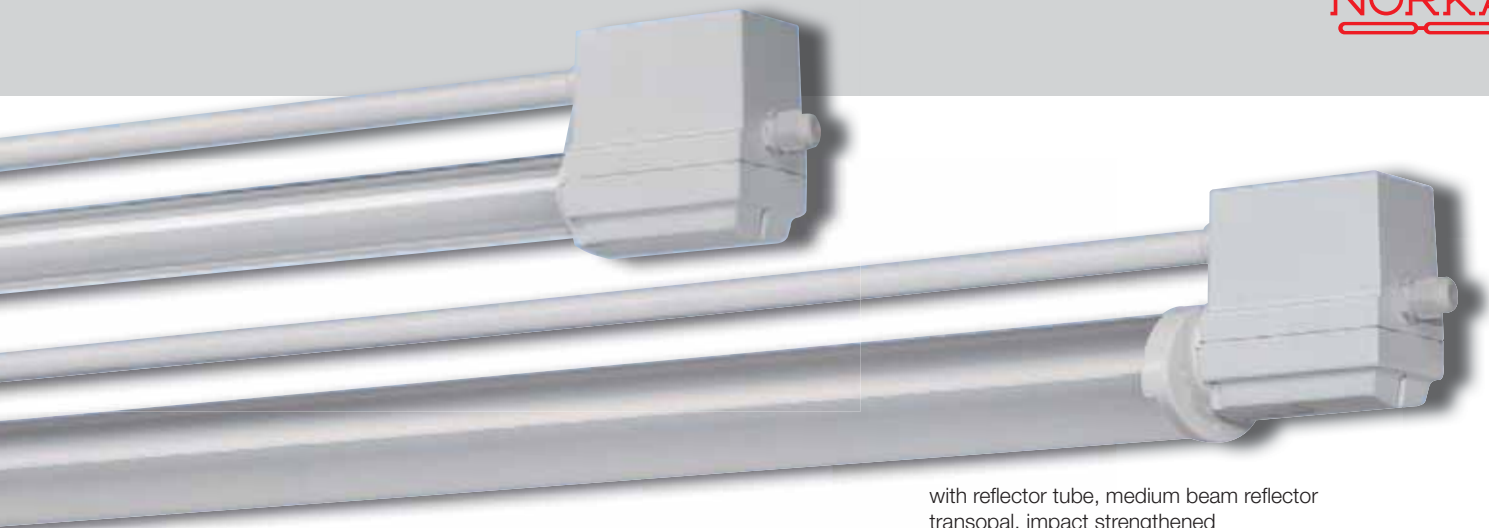


– standard version –

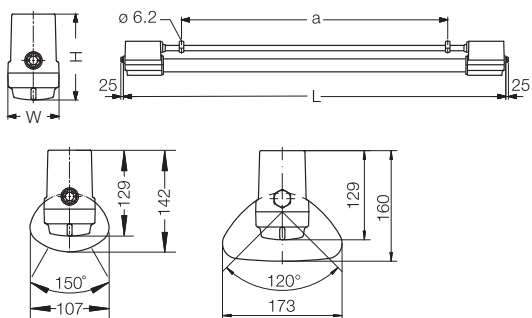
Protective tube Ø 50 mm
Silicate glass with reflector

1 x 18 W	comp.	590 220	18 W	200 803
1 x 36 W	comp.	590 420	36 W	200 805
1 x 58 W	comp.	590 620	58 W	200 807

PC (fracture proof) available on request

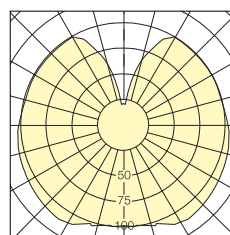


with reflector tube, medium beam reflector
transopal, impact strengthened



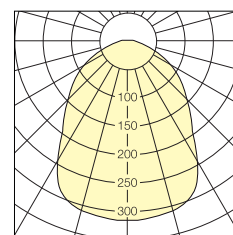
with reflector tube
medium beam
reflector

with reflector tube
concentrated beam
reflector



1 (cd/klm) LOR = 88 %

1 x 36 W
protective tube
Silicate glass



1 (cd/klm) LOR = 73 %

1 x 36 W
medium beam reflector
PMMA clear

Version	Dimensions in mm (± 2 mm)				Weight kg (approx.)
	L	W	H	a	
18 W	782	77	129	395 ± 80	2.9
36 W	1392	77	129	1005 ± 80	3.4
58 W	1732	77	129	1305 ± 80	4.4



Glass tube
with mirror finish reflector



Internal locking
mechanism
for glass tubes
and reflectors

	Reflector tube, PMMA medium beam reflector			Reflector tube, concentrated beam reflector		
	clear clear	clear inside ribbed	clear with louvre *	impact strengthened transopal	impact strengthened clear	clear
18 W	200 822	200 832	200 922	207 932	207 922	200 842
36 W	200 824	200 834	200 924	207 934	207 924	200 844
58 W	200 826	200 836	200 926	207 936	207 926	200 846

* with cross louvre

IP 68 1 m

IK 04, 960 °C – glass

IK 09, 850 °C – PC

IK 04, 650 °C – PMMA

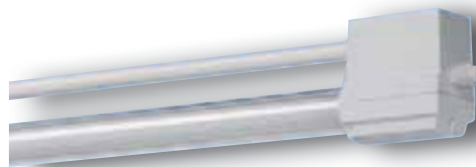
BREMERHAVEN T8



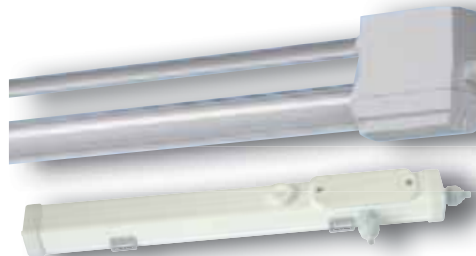
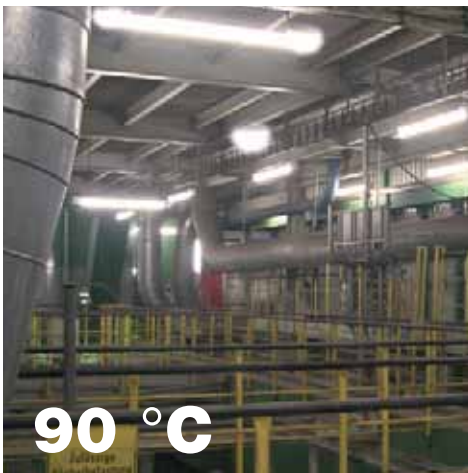
Heat resistant luminaires

The luminaires are designed for nominal ambient temperatures of +25 °C according to the European standard. Operation in areas with higher ambient temperature impairs the function and service life of the components and operating devices.

The special design of the NORKA luminaires and the materials chosen to withstand extreme temperature conditions guarantee reliable and safe operation.



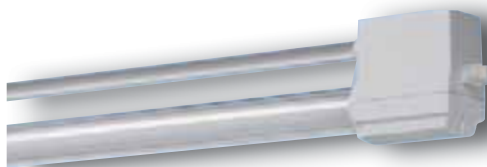
HT version,
heat resistant to max. 60 °C



Separate ballast box for VHT version

VHT version,
heat resistant to max. 90 °C (ambient temperature),
low loss ballast and starter in separate polymer housing

HT version, heat resistant to +60 °C			VHT version, heat resistant to +90 °C	
1 x 18 W	comp.	590 221	1 x 18/20 W	590 200
1 x 36 W	comp.	590 421	1 x 36/40 W	590 400
1 x 58 W	comp.	590 621	1 x 58/65 W	590 600



Stainless steel connecting tube
for acid resistant version



with reflector tube,
concentrated beam reflector



Ballast box IP 65, protection class II,
for installation outside
extreme temperature area

1 x 18/20 W	comp.	200 177
1 x 36/40 W	comp.	200 178
1 x 58/65 W	comp.	200 179

Note: Connecting cable from ballast box to luminaire:
4-pin, heat resistant (to be provided on site).
Max. cable length approx 100 m at 1.5 mm².