

# Luminaire ORION

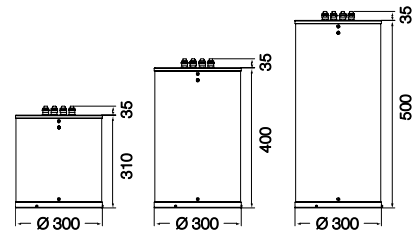


IP 65  $\nabla$   $\text{C}$   $\text{E}$  protection class I,  $\text{B}$  ball-impact resistant



## High bay luminaire ORION

**Housing:**  $\text{O}$  300 mm aluminium sheet, upper and lower cover in solid aluminium, with special interlock mechanism. Colour finish in RAL 9006, other colours available on request. Internal aluminium reflector in wide-, concentrated- or medium beam. Also available with fin raster. With safety cover glass. Overall height from 310 to 500 mm  
**Electronics:** built-in ballast with thermo-fuse and ignitor with automatic cut-off. 4 cable entries M20 in upper cover. Internal circuit points  
**Mounting:** central bolt thread M10 for eyebolt M10, mounting plate or ball-impact resistant mounting plate



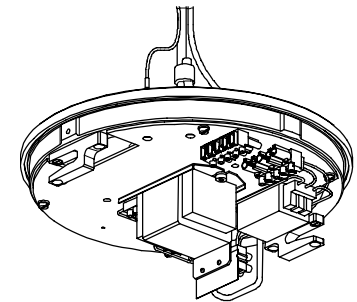
Version	Lamp	Wattage	Weight approx. kg	Order no.
<b>Luminaire ORION 300</b>				
coated aluminium, with cover glass				
- wide beam	HIT-DE/HST-DE	150 ind.	13,0	992 104
- concentrated beam	HIT-DE/HST-DE	150 ind.	13,0	992 204
- medium beam	HIT-DE/HST-DE	150 ind.	13,0	992 304
<b>Luminaire ORION 400</b>				
coated aluminium, with cover glass				
- wide beam	HIT-DE	250 ind.	15,5	993 110
- concentrated beam	HIT-DE	250 ind.	15,5	993 210
- medium beam	HIT-DE	250 ind.	15,5	993 310
- wide beam	HST-DE	250 ind.	15,5	993 115
- concentrated beam	HST-DE	250 ind.	15,5	993 215
- medium beam	HST-DE	250 ind.	15,5	993 315
<b>Luminaire ORION 500</b>				
coated aluminium, with cover glass				
- wide beam	HIT-DE	400 ind.	20,0	994 118
- concentrated beam	HIT-DE	400 ind.	20,0	994 218
- medium beam	HIT-DE	400 ind.	20,0	994 318
- wide beam	HST-DE	400 ind.	20,0	994 120
- concentrated beam	HST-DE	400 ind.	20,0	994 220
- medium beam	HST-DE	400 ind.	20,0	994 320

**Luminaire ORION WZ 500**  
 with electronic NORKA hot ignitor, automatic starter fuse for discharge lamps 150 - 400W, double ended (-DE), Fc2 / R7s, only for OSRAM-RADIUM-lamp

### Accessories and additional prices

Eyebolt M10 (spare part)	992 901
Ceiling plate	992 902
$\text{B}$ Ceiling plate, ball impact resistant	992 910
Colour finish according to RAL	992 960
Fin raster	992 911
Structured cover glass	992 917
Captive cover glass	992 909
Emergency light, E 27 max. 60W	992 915
Multi purpose light, E27 max. 150W	992 918
Bridging relais	992 927
Interlocking relais	992 928
Bridging-/interlocking relais	992 997

**Easy installation** due to constructional separation of the housing.  
 Mechanical fixation of the luminaire components with special interlock mechanism.  
 Electrical separation by connector system.



Optional with fin raster:



Internal, satinised reflector, wide beam:



Optional with emergency-/ multi-purpose light:

