



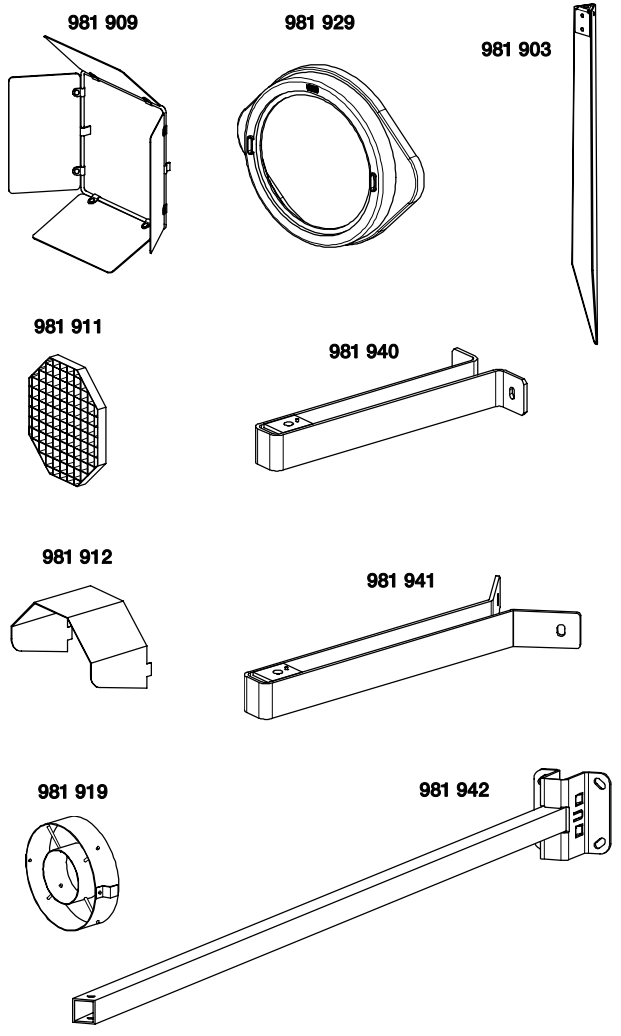
# Luminaire SPICA



IP 54 CE for high pressure discharge lamps and low-voltage halogen lamps

Version	Order no.
<b>Accessories and additional prices</b>	
<b>Cover frame</b> for up-lighting	<b>981 929</b>
<b>Version in white colour</b>	<b>981 960</b>
<b>Colour finish according to RAL</b>	<b>981 961</b>
<b>Prismatic cover glass</b>	<b>981 902</b>
<b>UV-filter</b>	<b>981 918</b>
<b>Reflector</b> nickel silver	<b>981 930</b>
<b>Shutter</b> 4-sided, black, varnished aluminium	<b>981 909</b>
<b>Round louvre</b> internal, varnished aluminium	<b>981 911</b>
<b>Shutter</b> black, varnished aluminium	<b>981 912</b>
<b>Round louvre</b> external, black, varnished aluminium	<b>981 919</b>
<b>Colour filters</b>	
– red	<b>981 950</b>
– yellow	<b>981 951</b>
– green	<b>981 952</b>
– blue	<b>981 953</b>
<b>Wall bracket</b> approx. 20 cm, aluminium	<b>981 940</b>
<b>Corner bracket</b> approx. 20 cm, aluminium	<b>981 941</b>
<b>Wall bracket</b> approx. 1 m, stainless steel	<b>981 942</b>
<b>Pole bracket</b> approx. 1 m, with pole clamp up to 2 1/2" stainless steel	<b>981 943</b>
<b>Ground spike</b> , aluminium	<b>981 903</b>
<b>Connection box, IP 54</b>	
– white	<b>981 945</b>
– black	<b>981 946</b>

**Spare parts see page 110 - 111**



**Luminaire SPICA**  
with additional coverframe  
for up-lighting

